



Model 9004202 - 120V

STRIVE[®] COMPACT

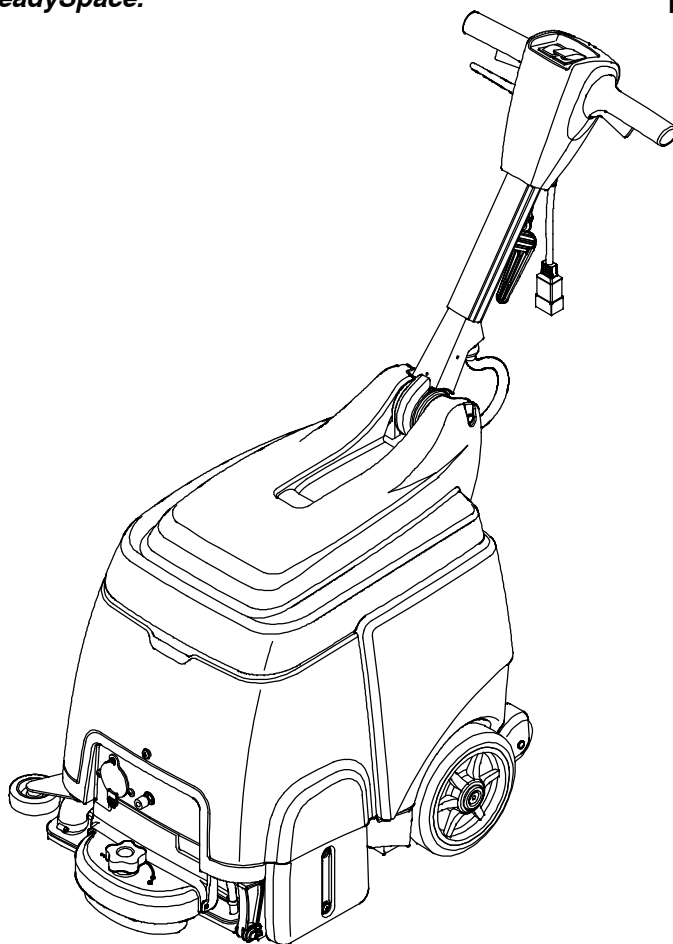
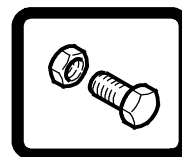
CARPET CLEANER

(S/N 30000000- 40000000)



More than clean, it's ReadySpace.™

PARTS MANUAL



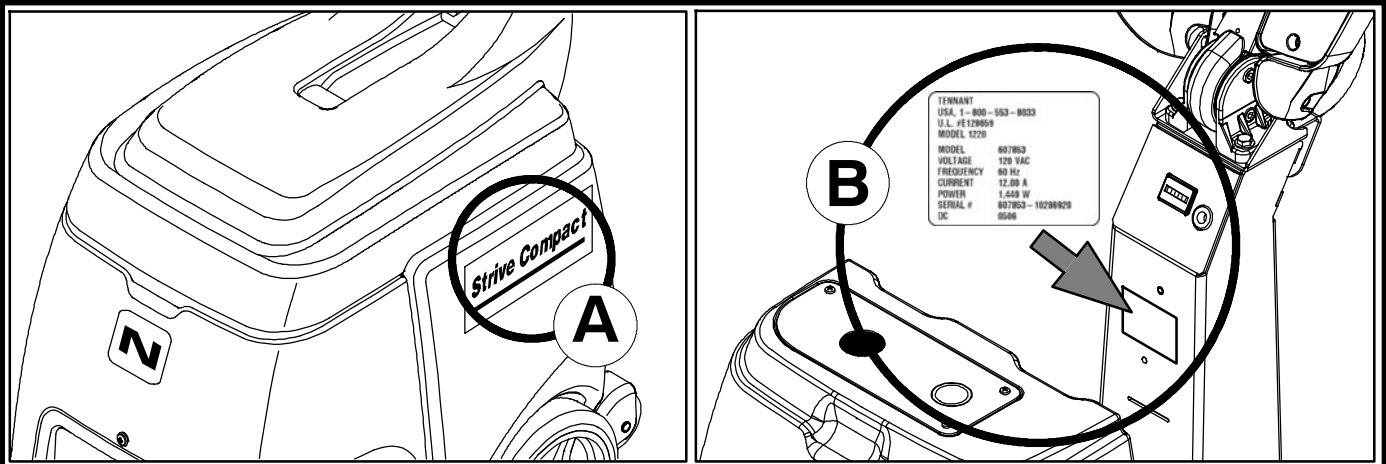
For the latest Parts manuals and other language Operator manuals, visit:

www.nobles.com/manuals

www.nobles.com

9012805
Rev. 01 (04-2016)





Ref	Part No.	Serial Number	Description	Qty.
1	82681	(000000-)	Bracket Wldt, Lpg Mount	1
2	63810	(000000-)	Latch Assy, Lpg Tank Mtg, W/Nut	4
3	51839	(000000-)	Nut Adjustable, Lpg Tank Mtg	2
4	49263	(000000-)	Tie, Cable	3
	82556	(000000- 001039)	Bracket, Vaporizer	1
	54930	(000000-)	Vaporizer, LPG	1

HOW TO ORDER PARTS - See diagram above

Only use TENNANT Company supplied or equivalent parts. Parts and supplies may be ordered online, by phone, by fax or by mail.

Follow the steps below to ensure prompt delivery.

1. (A) Identify the machine model.
2. (B) Identify the machine serial number from the data label.
3. (C) Ensure the proper serial number is used from the parts list.
4. Identify the part number and quantity.
Do not order by page or reference numbers.
5. Provide your name, company name, customer ID number, billing and shipping address, phone number and purchase order number.
6. Provide detail shipping instructions.

- (D) ▽ - identifies an assembly
 ▲ - identifies parts included in assembly

Please fill out at time of installation for future reference.

Model No. - _____

Serial No. - _____

Machine Options - _____

Sales Rep. - _____

Sales Rep. phone no. - _____

Customer ID Number - _____

Installation Date - _____

Tennant Company
 PO Box 1452
 Minneapolis, MN 55440 USA
 Phone: (800) 553- 8033 or
 (763) 513- 2850
 www.nobles.com

TENNANT Cleaning Systems & Equipment Co., Ltd
 Building 1, No. 3777 Caoying Road
 Qingpu Shanghai, China 201712
 Tel: 86 21 6922 53333
 Fax: 86 21 69225151
 www.tennant.co.cn

Specifications and parts are subject to change without notice.

Copyright © 2016 TENNANT Company, Printed in China.

RECOMMENDED MAINTENANCE ITEMS

GENERAL RECOMMENDED MAINTENANCE
ITEMS 5

STANDARD PARTS

HANDLE GROUP 6
FRAME GROUP 8
TANKS AND SHROUD GROUP 10
TANK COVER GROUP 12
VACUUM FAN GROUP 14
SOLUTION GROUP 16
SCRUB HEAD GROUP 18
ROLLER TOOL GROUP 20
ELECTRICAL DIAGRAM 22

OPTIONS

FLOOR TOOL GROUP, 8 in / 203 mm 24
HAND TOOL GROUP, 4 in / 101 mm 26
PUMP-UP CARPET SPRAYER 27

RECOMMENDED MAINTENANCE ITEMS

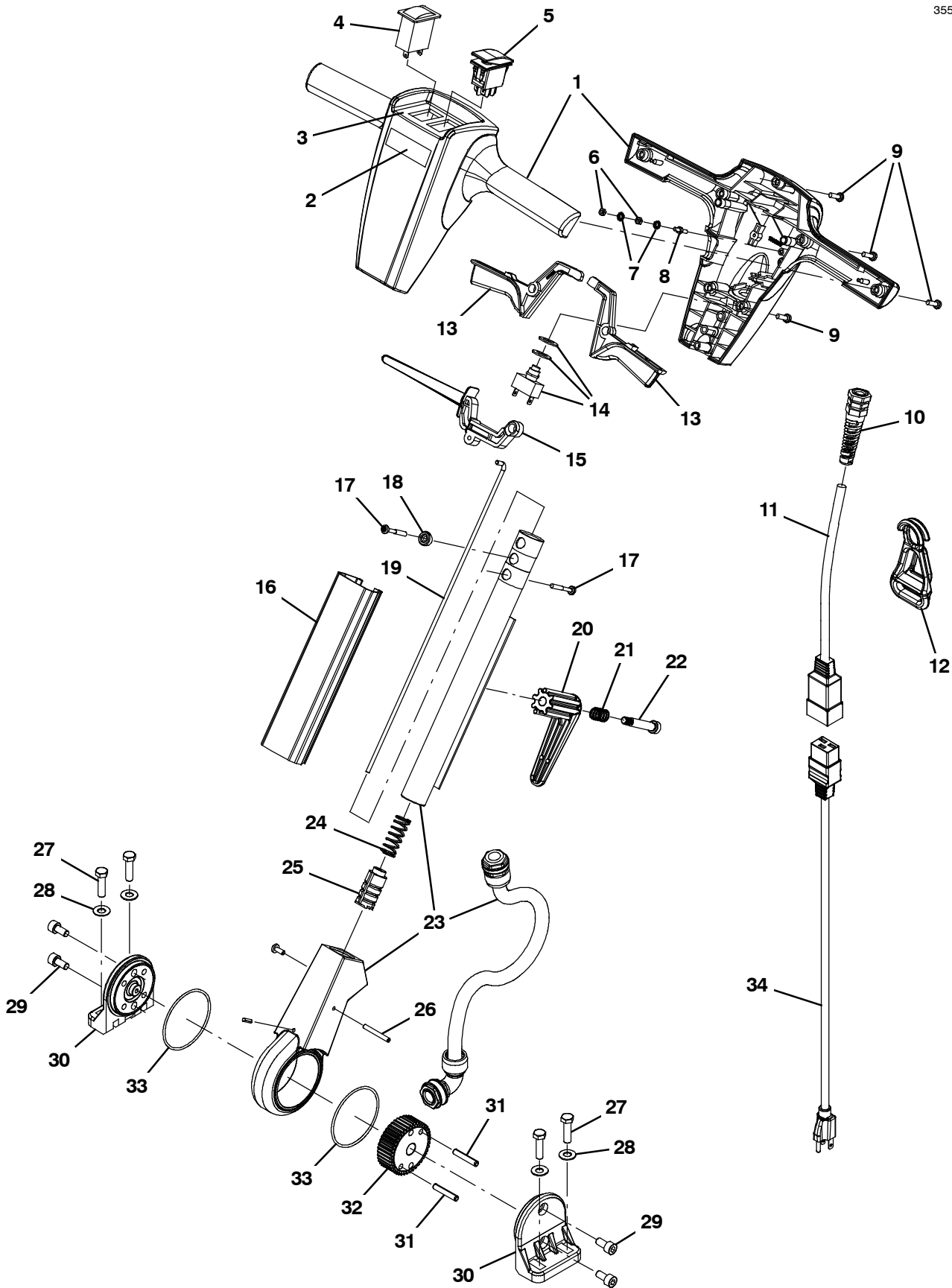
RECOMMENDED MAINTENANCE ITEMS

GENERAL RECOMMENDED MAINTENANCE ITEMS

Part No.	Serial Number	Description	Qty.
1014918	(30000000- 40000000)	Wheel, 03.0d 0.88w 0.31b, W/ Bshg, Rbr	2
1039073	(30000000- 40000000)	Wheel Assy, 8.0d 2.0w 0.5b W/Brg	2
1074694	(30000000- 40000000)	Filter, Tube, Soltn, 200mesh	1
1044370	(30000000- 40000000)	Ball, Float, W/O Cage	1
1036090	(30000000- 40000000)	Seal, Vacuum [Trex]	2
1052876	(30000000- 40000000)	Gasket, Tank	2
605317	(30000000- 40000000)	Roller, Sqge, 1.35od X 1.48l [Delrin]	2
1028953	(30000000- 40000000)	Roller Assy, Readyspace	2
9004282	(30000000- 40000000)	Belt Kit, W/ Installation Tool [Qty 2]	1
1034819	(30000000- 40000000)	Gasket, Tool ,Cover	2

HANDLE GROUP

355071



HANDLE GROUP

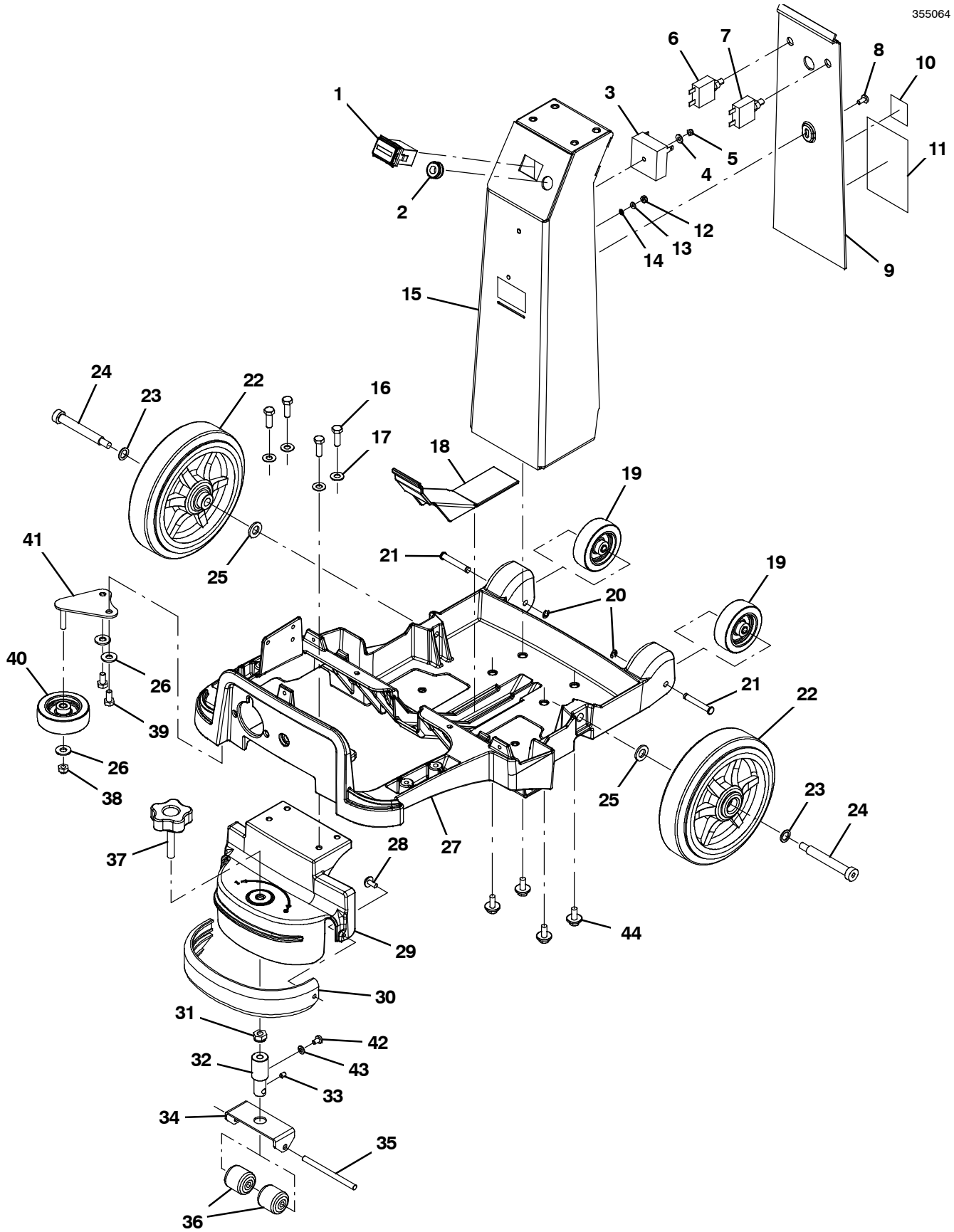
Ref.	Part No.	Serial Number	Description	Qty.
▽	9005513	(30000000- 40000000)	Handle, Nobles Strive Compact	1
▲▽	1 9004321	(30000000- 40000000)	Cover, Handle Front/Rear Nobles Sc Kit	1
▲▲	2 1039088	(30000000- 40000000)	Label, Logo, Handle [Nobles]	1
▲▲	3 1034592	(30000000- 40000000)	Label, Opertnl, Instrmt Panl, Readyspace	1
▲	4 1038375	(30000000- 40000000)	Gauge, Ammeter, 120vac, 5.0a [Rlr Press]	1
▲	5 602919	(30000000- 40000000)	Switch, Rocker, Dpdt, On / On	1
▲	6 42368	(30000000- 40000000)	Nut, Hex, Std, M4 X 0.70, 8	2
▲	7 140061	(30000000- 40000000)	Washer, Lock, Ext, 08, Pl	2
▲	8 1034952	(30000000- 40000000)	Screw, Hex, M4 X 0.7 X 12, Dbl Thrd	1
▲	9 1043573	(30000000- 40000000)	Screw, #10- 14 X 0.675, Spl[Shcs,Selftap]	7
▲	10 130166	(30000000- 40000000)	Grip, Cord, Strainrelief Pg- 11 W/Nut Bk	1
▲	11 1042410	(30000000- 40000000)	Cord, 14ga /3, 16.0l, W/ Receptacle, Yel	1
▲	12 1037147	(30000000- 40000000)	Clip, Cord, Strainrelief, Black	1
▲	13 1033893	(30000000- 40000000)	Lever, Cntrl, Switch [Trex]	2
▲	14 9008568	(30000000- 40000000)	Switch Kit, W/ Washers, Fr/ F/1063165	1
▲	15 1034945	(30000000- 40000000)	Lever, Adjmt, Handle	1
▲	16 1036599	(30000000- 40000000)	Cover, Handle, Nobles [Trex]	1
▲	17 1043572	(30000000- 40000000)	Screw, #10- 14 X 0.15, Spl[Shcs Selftap]	2
▲	18 1034176	(30000000- 40000000)	Bushing, Flng, 5mmb 12mmd 8mml, Pa6	1
▲	19 1034180	(30000000- 40000000)	Rod, Release [Trex]	1
▲	20 603104	(30000000- 40000000)	Hook, Cord, Blk [Quick- Release]	1
▲	21 603108	(30000000- 40000000)	Spring, Cmpr, Switch	1
▲	22 140239	(30000000- 40000000)	Bolt, Shld, .38d X 1.75, .31- 18	1
▲	23 1045239	(30000000- 40000000)	Tube, Assy, Handle [W/Harnesses]	1
▲	24 1013295	(30000000- 40000000)	Spring, Cmpr [2100 Series]	1
▲	25 9006059	(30000000- 40000000)	Plunger Kit, Handle	1
▲	26 1034924	(30000000- 40000000)	Pin, Roll, 04mmd X 40mml	1
▲	27 1016399	(30000000- 40000000)	Screw, Hex, M8 X 1.25 X 30, NI, Ss	4
▲	28 140027	(30000000- 40000000)	Washer, Flat, 0.35b 0.75d .04, Ss	4
▲	29 49609	(30000000- 40000000)	Screw, Soc, M8 X 1.25 X 16, 12.9	4
▲	30 1000307	(30000000- 40000000)	Handle, Pivot, Half	2
▲	31 1034155	(30000000- 40000000)	Pin, Roll, 06mmd X 36mml	2
▲	32 1034872	(30000000- 40000000)	Gear, Lock, Handle	1
▲	33 612422	(30000000- 40000000)	Seal, Org, Gear Seat	2
▲	34 1042403	(30000000- 40000000)	Cord, Power, 1.5mm /3 Yel[2x15m 50ft Us]	1

▽ ASSEMBLY

▲ INCLUDED IN ASSEMBLY

FRAME GROUP

355064



FRAME GROUP

Ref.	Part No.	Serial Number	Description	Qty.	
1	1064038	(30000000- 40000000)	Gauge, Hourmeter, 05- 277 Volt, Ac / Dc	1	
2	86726	(30000000- 40000000)	Grommet, Rbr, 0.44id, F/0.5h, .19 Matl	1	
3	1032018	(30000000- 40000000)	Module, Timer, 120vac [Trex Readyspace]	1	
4	01683	(30000000- 40000000)	Washer, Flat, 10, Ss	1	
5	09739	(30000000- 40000000)	Nut, Hex, Lock, M5 X 0.80, NI, Ss	1	
6	383720	(30000000- 40000000)	Circuitbreaker, 05.0a, Resetable	1	
7	383722	(30000000- 40000000)	Circuitbreaker, 15.0a, Resetable	1	
8	74027	(30000000- 40000000)	Screw, Pan, Phl, M6 X 1.00 X 12, NI, PI	1	
▽	9	9004275	(30000000- 40000000)	Cover Kit, Column , W/ Label [5gal 120v]	1
▲	10	NA	(30000000- 40000000)	Label, Safety, 120vac [EtI]	1
▲	11	1039105	(30000000- 40000000)	Label,Warning,Ac Scrb/Extr [En/Fr/Es/Jp]	1
	12	1044427	(30000000- 40000000)	Nut, Hex, Lock, #8- 32, NI, Ss	1
	13	41578	(30000000- 40000000)	Washer, Flat, 06, Ss	1
	14	02938	(30000000- 40000000)	Washer, Lock, Int, 08, Ss	1
	15	9004274	(30000000- 40000000)	Column Kit, Sppt, W/ Label [5 Gal]	1
	16	1015852	(30000000- 40000000)	Screw, Hex, M8 X 1.25 X 25, NI, FI, Ss	4
	17	140027	(30000000- 40000000)	Washer, Flat, 0.35b 0.75d .04, Ss	4
	18	1031418	(30000000- 40000000)	Cover, Frame, Rear [Trex]	1
	19	1014918	(30000000- 40000000)	Wheel, 03.0d 0.88w 0.31b, W/ Bshg, Rbr	2
	20	1035139	(30000000- 40000000)	Ring, Retaining, Ext, 0.31d, E- Type	2
	21	1035137	(30000000- 40000000)	Pin, Clevis, Grvd 0.31d X 2.00l, Ss	2
	22	1039073	(30000000- 40000000)	Wheel Assy, 8.0d 2.0w 0.5b W/Brg	2
	23	1038770	(30000000- 40000000)	Washer, Flat, 0.50b 0.75d 0.06, Ss	2
	24	1033757	(30000000- 40000000)	Bolt, Shld, .50 X 3.25, .38- 16, Ss	2
	25	33925	(30000000- 40000000)	Washer, Flat, M12, Ss	2
	26	01685	(30000000- 40000000)	Washer, Flat, 0.38b 0.88d .08, Ss	3
	27	1031527	(30000000- 40000000)	Frame (Machined)	1
	28	1019349	(30000000- 40000000)	Screw, Trs, M6 X 1.00 X 16, Ss, Sems	2
	29	1051665	(30000000- 40000000)	Bracket, Adjustment, Head	1
	30	1036668	(30000000- 40000000)	Bumper, Front	1
	31	08714	(30000000- 40000000)	Nut, Hex, Lock, M10 X 1.5, NI, Ss	1
	32	1051666	(30000000- 40000000)	Adjuster, Roller	1
	33	09162	(30000000- 40000000)	Screw, Set, Soc, M6 X 1.00 X 8, NI	1
	34	1035496	(30000000- 40000000)	Bracket, Roller	1
	35	1035519	(30000000- 40000000)	Bar, Rnd, Stl, 0.31d X 4.09l, 2cham	1
	36	605317	(30000000- 40000000)	Roller, Sqge, 1.35od X 1.48l [Delrin]	2
	37	1036002	(30000000- 40000000)	Knob, Adj, M10 X50 Stud, Blk	1
	38	08713	(30000000- 40000000)	Nut, Hex, Lock, M8 X 1.25, NI, Ss	1
	39	49826	(30000000- 40000000)	Screw, Hex, M8 X 1.25 X 16, NI, Ss	2
	40	1014918	(30000000- 40000000)	Wheel, 03.0d 0.88w 0.31b, W/ Bshg, Rbr	1
	41	1034805	(30000000- 40000000)	Bracket, Bumper Wheel	1
	42	48732	(30000000- 40000000)	Screw, Pan, Phl, M6 X 1.00 X 10, Ss	1
	43	140016	(30000000- 40000000)	Washer, Lock, Split, 0.25, Ss	1
	44	1020341	(30000000- 40000000)	Screw, Hex, M8 X 1.25 X 20, Ss, Sems	4
	N/S	1033926	(30000000- 40000000)	Harness, Chassis, Ele [T- Rex Readyspace]	1

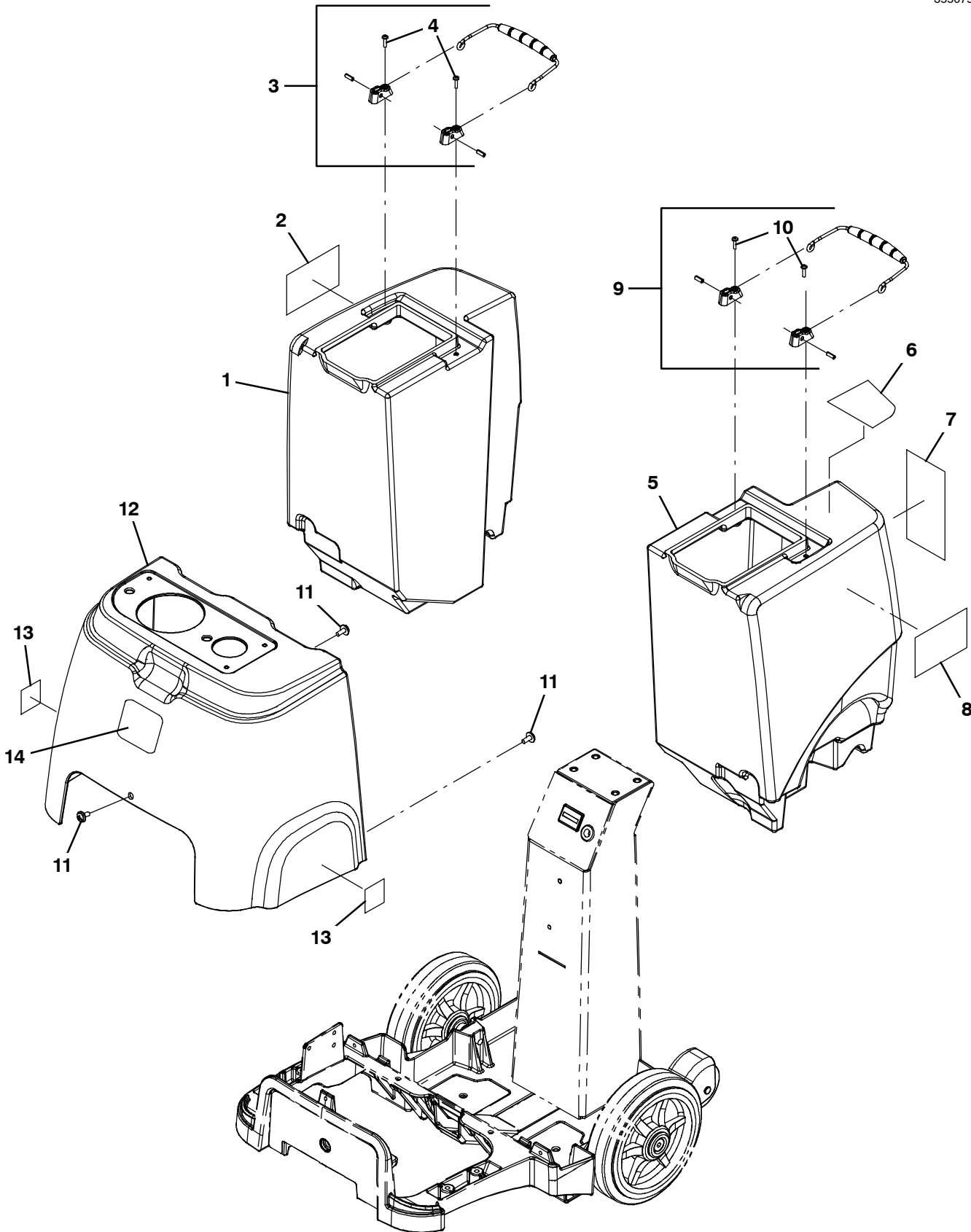
▽ ASSEMBLY

▲ INCLUDED IN ASSEMBLY

N/S = NOT SHOWN

TANKS AND SHROUD GROUP

355075



TANKS AND SHROUD GROUP

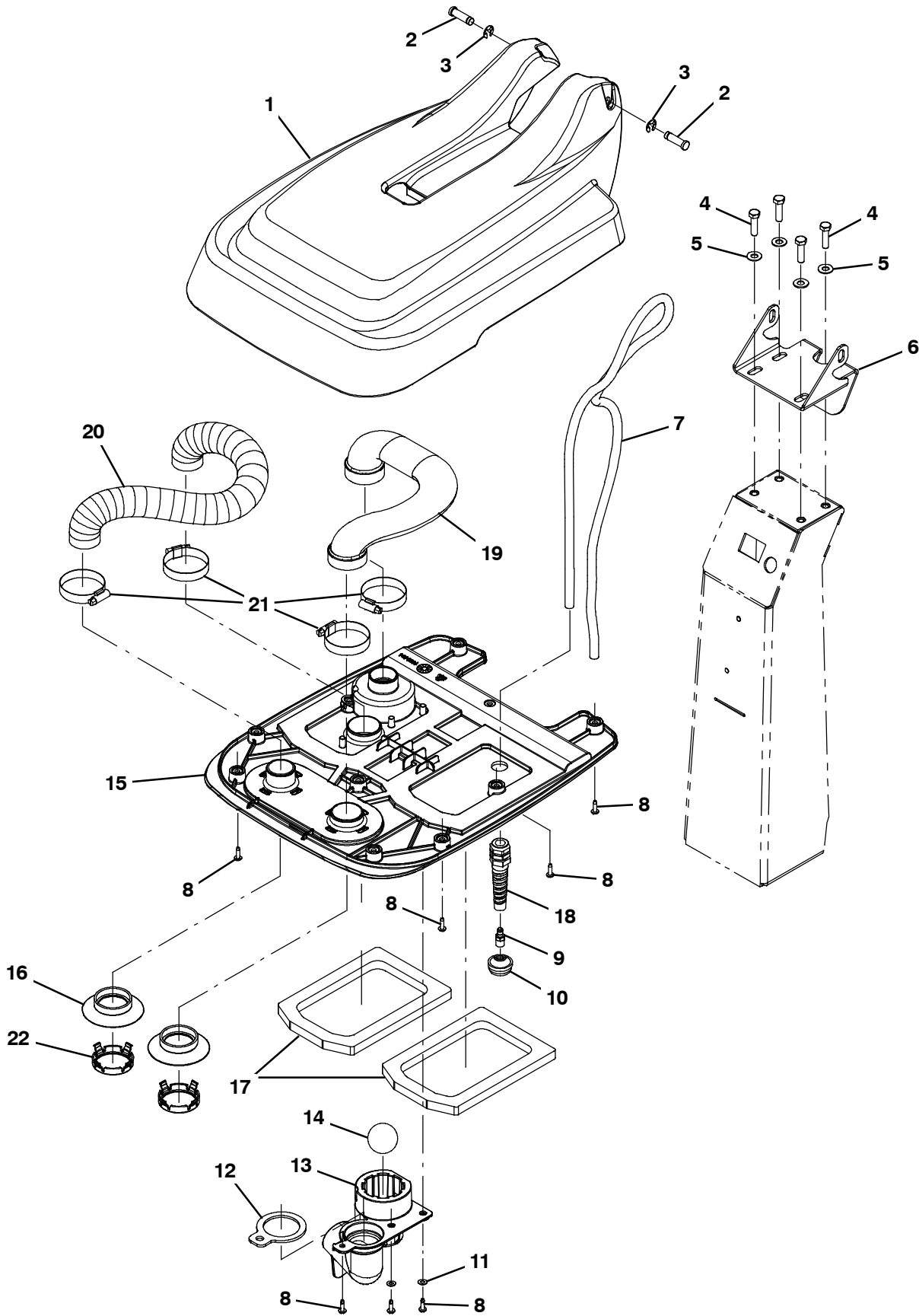
	Ref.	Part No.	Serial Number	Description	Qty.
▽	1	9004304	(30000000- 40000000)	Tank, Rec W/ Labels Nobles 5 Gal Kit	1
▲	2	1039499	(30000000- 40000000)	Label, Side [Strive Compact]	1
▲▽	3	9004285	(30000000- 40000000)	Handle, Tank Kit	1
▲▲	4	24265	(30000000- 40000000)	Screw, Pan, Phl, M4 X 0.70 X 16, Ss	2
▽	5	9004306	(30000000- 40000000)	Tank, Sol W/ Labels Nobles 5 Gal Kit	1
▲	6	1038968	(30000000- 40000000)	Label, Soltn, Tank [5.0 Gal]	1
▲	7	1040113	(30000000- 40000000)	Label, Oper, Instr [Readyspace]	1
▲	8	1039499	(30000000- 40000000)	Label, Side [Strive Compact]	1
▲▽	9	9004285	(30000000- 40000000)	Handle, Tank Kit	1
▲▲	10	24265	(30000000- 40000000)	Screw, Pan, Phl, M4 X 0.70 X 16, Ss	2
	11	1019349	(30000000- 40000000)	Screw, Trs, M6 X 1.00 X 16, Ss, Sems	3
▽	12	9004300	(30000000- 40000000)	Shroud, W/ Labels Nobles 5 Gal Kit	1
▲	13	578769	(30000000- 40000000)	Decal, Moving Parts Textless	2
▲	14	1034636	(30000000- 40000000)	Label, Front, 3.00 [Nobles Icon]	1

▽ ASSEMBLY

▲ INCLUDED IN ASSEMBLY

TANK COVER GROUP

355047



TANK COVER GROUP

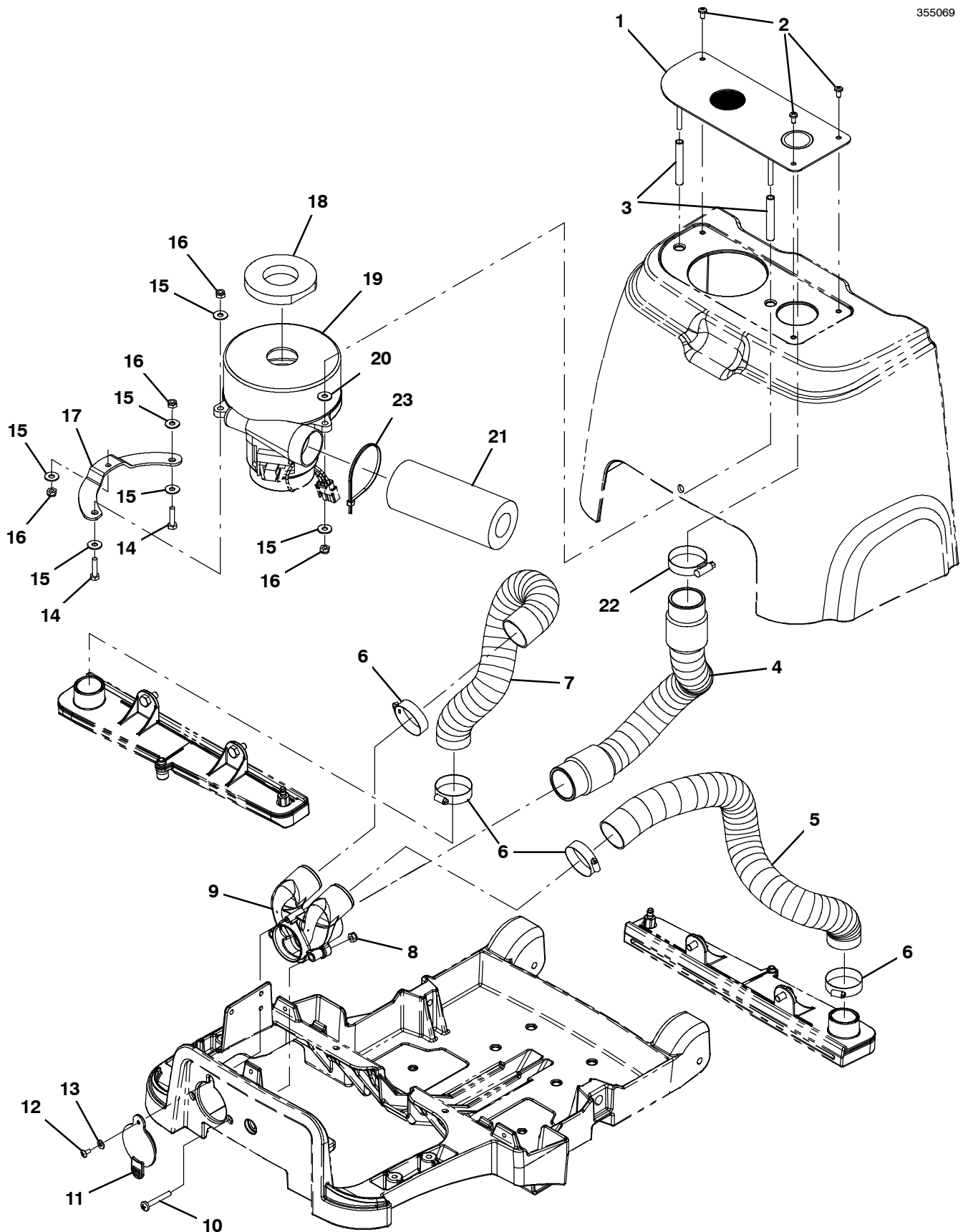
Ref.	Part No.	Serial Number	Description	Qty.	
1	1037759	(30000000- 40000000)	Cover , Tanks, Upper, Nobles [Trex]	1	
2	1035358	(30000000- 40000000)	Pin, Grvd, 0.375d, 1.25l	2	
3	24555	(30000000- 40000000)	Ring, Retaining, Ext, 0.38d, [E- Ring]	2	
4	1016399	(30000000- 40000000)	Screw, Hex, M8 X 1.25 X 30, NI, Ss	4	
5	140027	(30000000- 40000000)	Washer, Flat, 0.35b 0.75d .04, Ss	4	
6	1034346	(30000000- 40000000)	Bracket, Pivot, Cover, Mtg	1	
7	1036063	(30000000- 40000000)	Hose, Soltn, .25 Id, .453 Od, 56.0 L	1	
8	140340	(30000000- 40000000)	Screw, Pan, Phl, 10- 24 X 0.62, Ss[Typ25]	13	
9	1042715	(30000000- 40000000)	Fitting, Brs, Str, Bm04/Pm02	1	
10	1074694	(30000000- 40000000)	Filter, Tube, Soltn, 200mesh	1	
11	140011	(30000000- 40000000)	Washer, Flat, 0.21b 0.45d .03, Ss	2	
12	1051274	(30000000- 40000000)	Gasket, Shield, Float	1	
13	1042277	(30000000- 40000000)	Shield, Float	1	
14	1044370	(30000000- 40000000)	Ball, Float, W/O Cage	1	
▽	15	9005924	(30000000- 40000000)	Cover, Tank, Inner W/ Seals, Kit	1
▲	16	1036090	(30000000- 40000000)	Seal, Vacuum [Trex]	2
▲	17	1052876	(30000000- 40000000)	Gasket, Tank	2
▲	18	602849	(30000000- 40000000)	Strainrelief, Cord, Ele, Pm08, Blk Nyl	1
	19	1035866	(30000000- 40000000)	Hose, Recvy, Formed [Trex]	1
	20	1037756	(30000000- 40000000)	Hose, Vacuum, 1.5od, 18.0l [Wire- Reinf]	1
	21	140308	(30000000- 40000000)	Clamp, Hose, Wormdrive, 1.31- 2.25d, .50w	4
	22	1054345	(30000000- 40000000)	Clip, Retaining, Seal	2

▽ ASSEMBLY

▲ INCLUDED IN ASSEMBLY

VACUUM FAN GROUP

355069



VACUUM FAN GROUP

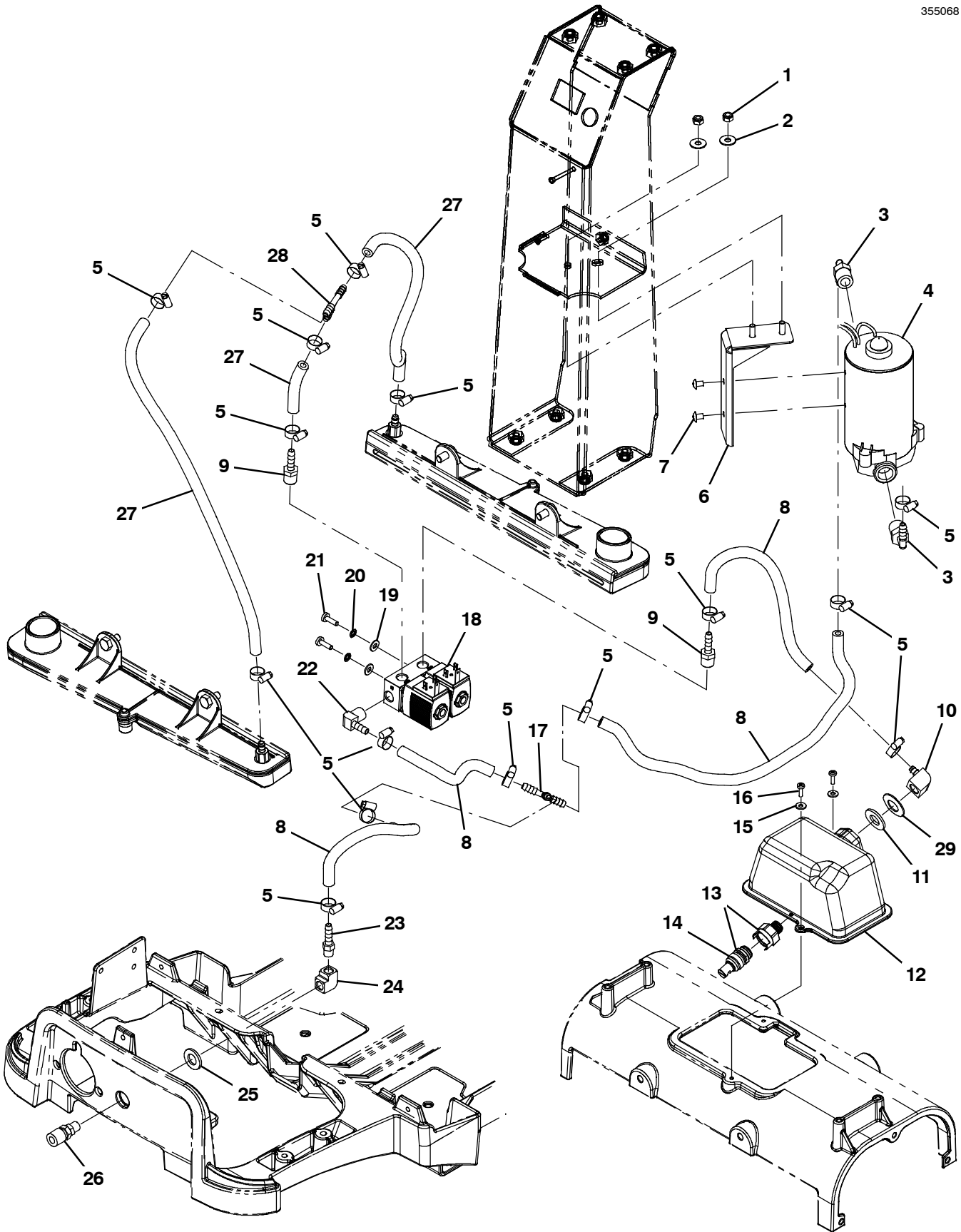
Ref.	Part No.	Serial Number	Description	Qty.	
1	1031960	(30000000- 40000000)	Plate, Mtg, Vacuum	1	
2	1026454	(30000000- 40000000)	Screw, Pan, Phl, M5 X 0.80 X 10, Ss	3	
3	610144	(30000000- 40000000)	Spacer, Fan	2	
4	1032555	(30000000- 40000000)	Hose, Vacuum, 1.50id X 19.5l, 2cuff, Clr	1	
5	1038373	(30000000- 40000000)	Hose, Vacuum, Wir, 38.0id X 490.0l, Clr	1	
6	79381	(30000000- 40000000)	Clamp, Hose, Wormdrive, 1.25- 2.00d, .50w	4	
7	1038379	(30000000- 40000000)	Hose, Vacuum, Wir, 38.0id X 335.0l, Clr	1	
8	08708	(30000000- 40000000)	Nut, Hex, Lock, M6 X 1.00, NI	2	
9	1050092	(30000000- 40000000)	Manifold, Soltn, Wand [Trex]	1	
10	09258	(30000000- 40000000)	Screw, Pan, Phl, M6 X 1.00 X 40, 4.8	2	
11	607183	(30000000- 40000000)	Seal, Cap, Vacuum Tool [607170]	1	
12	140801	(30000000- 40000000)	Screw, Trs, Phl, 08- 32 X 0.38, Ss	1	
13	140011	(30000000- 40000000)	Washer, Flat, 0.21b 0.45d .03, Ss	1	
14	09007	(30000000- 40000000)	Screw, Hex, M6 X 1.00 X 25, Ss	2	
15	01684	(30000000- 40000000)	Washer, Flat, 0.27b 0.69d .05, Ss	6	
16	08708	(30000000- 40000000)	Nut, Hex, Lock, M6 X 1.00, NI	4	
17	1034069	(30000000- 40000000)	Plate, Vac Mounting	1	
18	630010	(30000000- 40000000)	Gasket, 12.7mm Th, 43mmid 73mmmod	1	
▽	19	9012566	(30000000- 40000000)	Fan Kit, Vacuum, 5.7d, 120vac, 2 Stage	1
▲		1071842	(30000000- 40000000)	Vr, Brush Kit, Vac Fan 1071839	1
▲	20	01684	(30000000- 40000000)	Washer, Flat, 0.27b 0.69d .05, Ss	1
	21	600009	(30000000- 40000000)	Muffler, Exhaust, Vacfan	1
	22	11531	(30000000- 40000000)	Clamp, Hose, Wormdrive, 1.06- 2.00d, .56w	1
	23	130773	(30000000- 40000000)	Tie, Cable, Nyl, 11.0l, .14w, 3.0 Max. D	1

▽ ASSEMBLY

▲ INCLUDED IN ASSEMBLY

SOLUTION GROUP

355068



SOLUTION GROUP

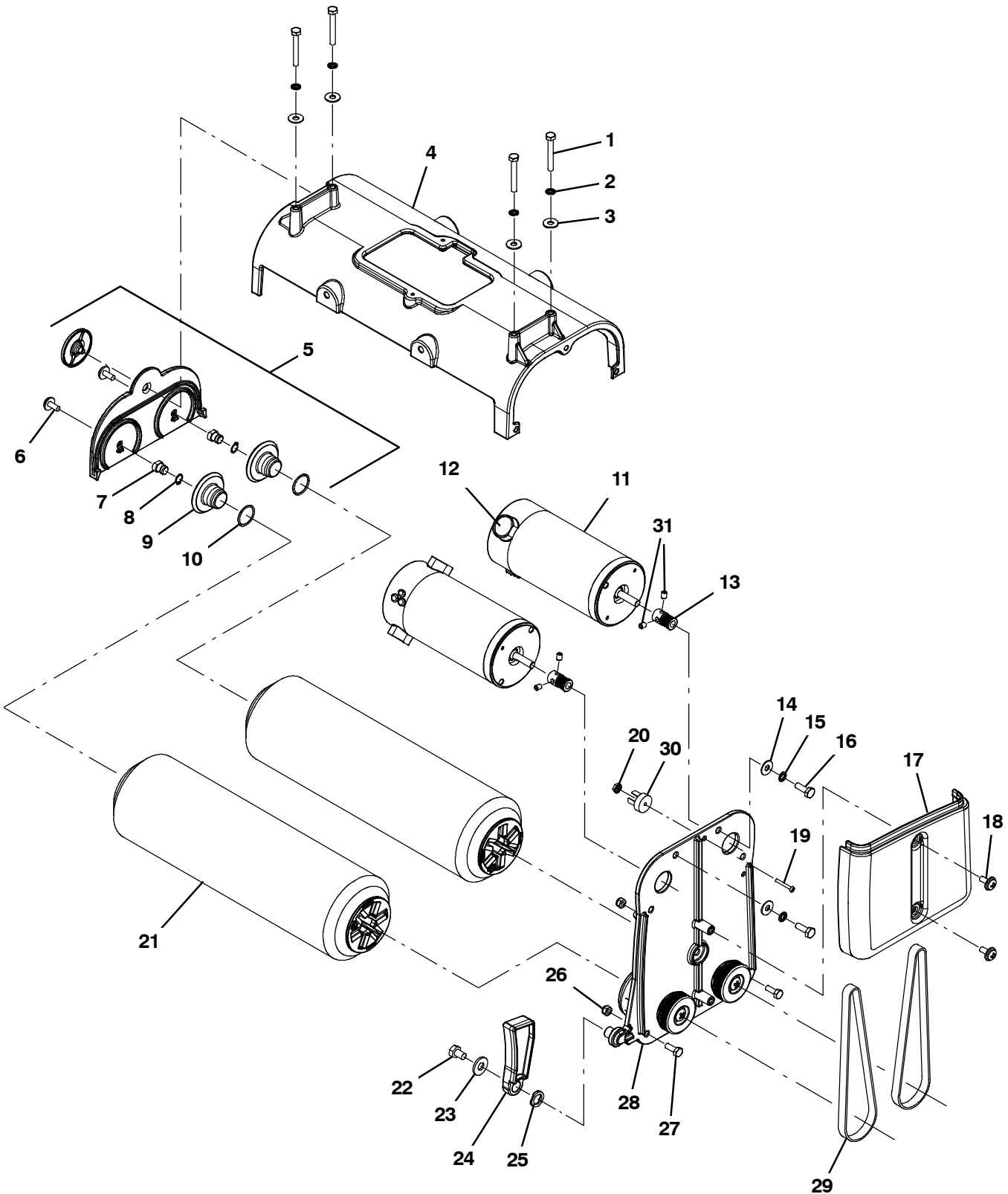
Ref.	Part No.	Serial Number	Description	Qty.	
1	08712	(30000000- 40000000)	Nut, Hex, Lock, M6 X 1.00, NI, Ss	2	
2	01684	(30000000- 40000000)	Washer, Flat, 0.27b 0.69d .05, Ss	2	
3	150417	(30000000- 40000000)	Fitting, Plstc, E90, Bm04/Pm06	2	
4	1031915	(30000000- 40000000)	Pump, Soltn, Ele, 110vac	1	
5	43844	(30000000- 40000000)	Clamp, Hose, Wormdrive, 0.25- 0.62d, .31w	15	
6	1034331	(30000000- 40000000)	Bracket, Pump	1	
7	140874	(30000000- 40000000)	Screw, Hex, 10- 32 X 0.38, PI [Inwa Ty1]	2	
8	606364	(30000000- 40000000)	Hose, Pvc, Brd, 0.25id 0.50od 60.0l,Gray (160204)	1	
9	150515	(30000000- 40000000)	Fitting, Brs, Str, Bm04/Pm04 [Taped]	2	
10	1028773	(30000000- 40000000)	Fitting, Brs, E90, Bm04/Pf04	1	
11	32486	(30000000- 40000000)	Washer, Flat, 0.50, Sae	1	
12	1033445	(30000000- 40000000)	Shroud, Splash, Nozzle [Trex]	1	
▽	13	1061033	(30000000- 40000000)	Nozzle Assy, Spray [1/4qjja+Qtka- 1]]	1
▲	14	1034685	(30000000- 40000000)	Nozzle, Tip, Spray [Qtka]	1
15	41579	(30000000- 40000000)	Washer, Flat, 08, Ss	2	
16	579237	(30000000- 40000000)	Screw, Pan, Phl, M4 X 0.70 X 12, Ss	2	
17	150713	(30000000- 40000000)	Fitting, Plstc, Tee, Bm04/Bm04/Bm04	1	
18	1037846	(30000000- 40000000)	Manifold, Soltn, 120 Volt	1	
19	01683	(30000000- 40000000)	Washer, Flat, 10, Ss	2	
20	07514	(30000000- 40000000)	Washer, Lock, Int, 10, Ss	2	
21	140841	(30000000- 40000000)	Screw, Pan, Phl, 10- 32 X 0.62, Ss	2	
22	150418	(30000000- 40000000)	Fitting, Brs, E90, Bm04/Pm04	1	
23	150525	(30000000- 40000000)	Fitting, Brs, Str, Bm04/Pm02	1	
24	150402	(30000000- 40000000)	Fitting, Brs, E90, Pf02/Pf02	1	
25	3148.816	(30000000- 40000000)	Washer, Flat, 0.52b 0.88d .06, Stl, PI	1	
26	150915	(30000000- 40000000)	Fitting, Brs, Qdc, Pm02, Fem [Ser 5]	1	
27	606161	(30000000- 40000000)	Hose, Pvc, Brd, 0.25id 0.50od 36.0l,Gray (160204)	1	
28	150713	(30000000- 40000000)	Fitting, Plstc, Tee, Bm04/Bm04/Bm04	1	
29	1035296	(30000000- 40000000)	Washer, Flat, Belleville, .567	1	

▽ ASSEMBLY

▲ INCLUDED IN ASSEMBLY

SCRUB HEAD GROUP

355264



SCRUB HEAD GROUP

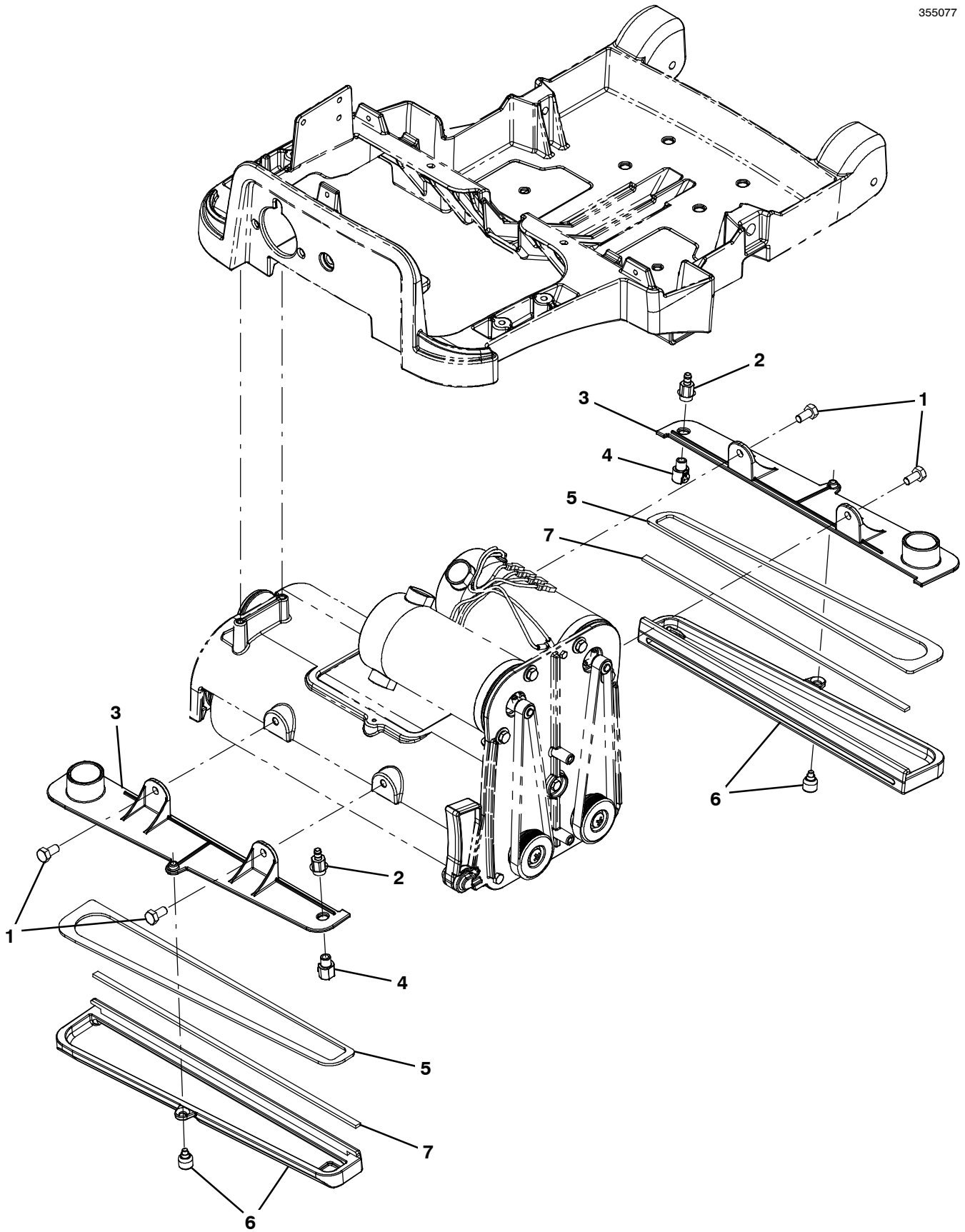
Ref.	Part No.	Serial Number	Description	Qty.	
1	1045325	(30000000- 40000000)	Screw, Hex, M6 X 1.00 X 45, Ss	8	
2	1027144	(30000000- 40000000)	Washer, Lock, Int, M6, Ss	8	
3	01684	(30000000- 40000000)	Washer, Flat, 0.27b 0.69d .05, Ss	8	
4	1054903	(30000000- 40000000)	Housing, Brush, Dbl, 40cm	1	
▽	5	9007963	(30000000- 40000000)	Door Kit, Brush, W/ Hdwr	1
▲	6	1019349	(30000000- 40000000)	Screw, Trs, M6 X 1.00 X 16, Ss, Sems	2
▲	7	1030682	(30000000- 40000000)	Shaft, Idler Plug	2
▲	8	01543	(30000000- 40000000)	Ring, Retaining, Ext, 0.39d, Basic	2
▲	9	1030680	(30000000- 40000000)	Hub, Idler, Brush	2
▲	10	1042312	(30000000- 40000000)	Seal, Org, .103 X .862 Id, 118	2
▽	11	1072721	(30000000- 40000000)	Motor, Ele, 115vdc 1550rpm .25hp 2.3a	2
▲	12	1067897	(30000000- 40000000)	Vr, Brush Kit, Motor	4
	13	1030623	(30000000- 40000000)	Sheave, 07grv, 16.03pd [Ph]	2
	14	01684	(30000000- 40000000)	Washer, Flat, 0.27b 0.69d .05, Ss	4
	15	07515	(30000000- 40000000)	Washer, Lock, Int, 0.25, Ss	4
	16	34323	(30000000- 40000000)	Screw, Hex, .25- 20 X 0.75, NI	4
	17	1037928	(30000000- 40000000)	Cover, Belt, Spg (Dual Roller)	1
	18	1019349	(30000000- 40000000)	Screw, Trs, M6 X 1.00 X 16, Ss, Sems	2
	19	140946	(30000000- 40000000)	Screw, Rnd, Slt, 06- 32 X 1.00, Nyl	1
	20	140534	(30000000- 40000000)	Nut, Hex, #06- 32, Nyl	1
	21	1028953	(30000000- 40000000)	Roller Assy, Readyspace	2
	22	386868	(30000000- 40000000)	Screw, Hex, M8 X 1.25 X 12, Ss	1
	23	07515	(30000000- 40000000)	Washer, Lock, Int, 0.25, Ss	1
	24	1042443	(30000000- 40000000)	Support, Kickstand, Blk, Nyl	1
	25	140060	(30000000- 40000000)	Washer .505x.750x.045 Wave	1
	26	08712	(30000000- 40000000)	Nut, Hex, Lock, M6 X 1.00, NI, Ss	3
	27	15678	(30000000- 40000000)	Screw, Hex, M6 X 1.00 X 16, Ss	3
	28	9004280	(30000000- 40000000)	Bracket, Motor Mount W/ Bearing/Seal Kit	1
	29	9004282	(30000000- 40000000)	Belt Kit, W/ Installation Tool [Qty 2]	1
	30	130288	(30000000- 40000000)	Rectifier, Bridge, Rnd, 12a 1000volt, Ce	1
	31	09162	(30000000- 40000000)	Screw, Set, Soc, M6 X 1.00 X 8, NI	4

▽ ASSEMBLY

▲ INCLUDED IN ASSEMBLY

ROLLER TOOL GROUP

355077

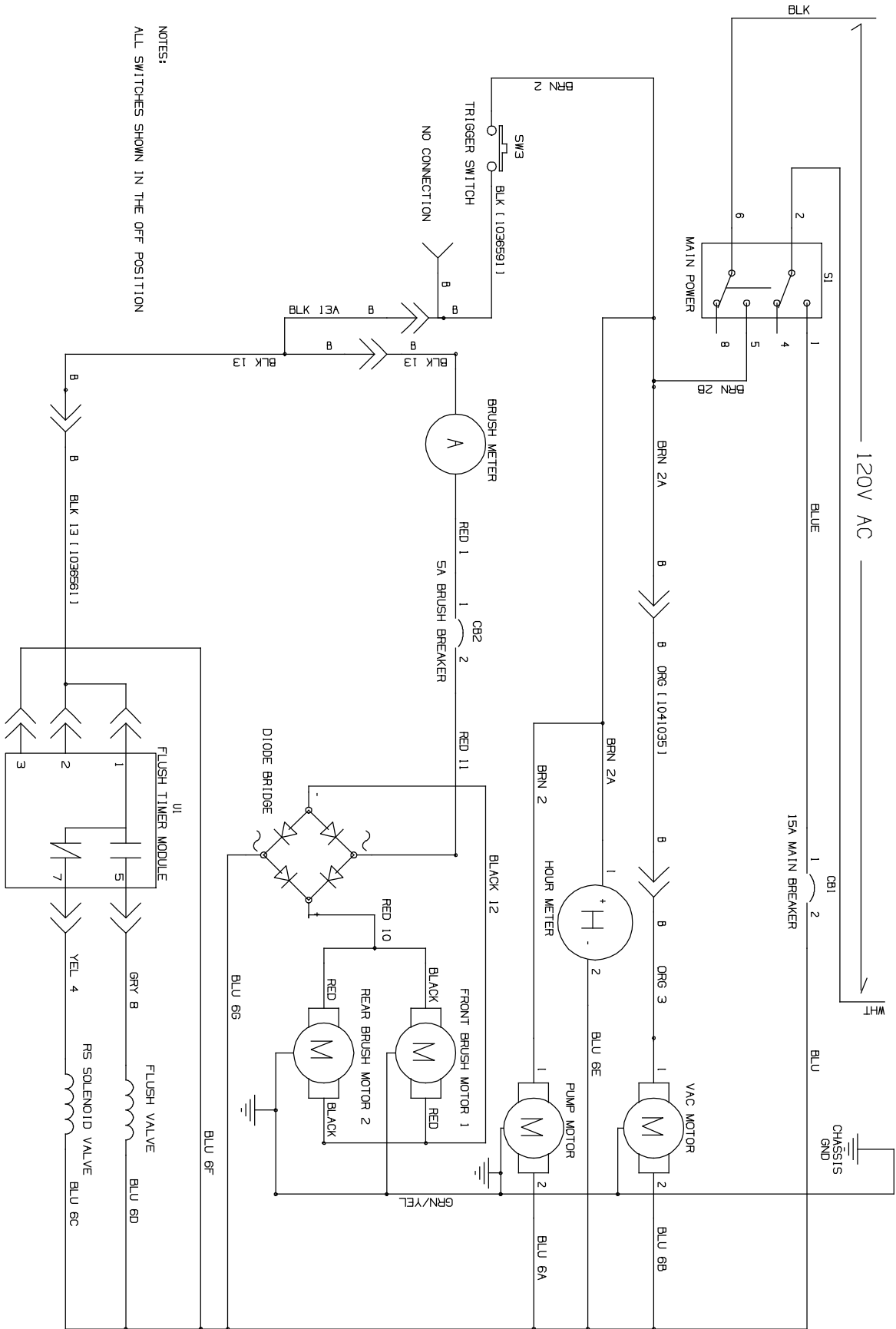


ROLLER TOOL GROUP

Ref.	Part No.	Serial Number	Description	Qty.
1	49826	(30000000- 40000000)	Screw, Hex, M8 X 1.25 X 16, NI, Ss	4
2	1040254	(30000000- 40000000)	Fitting, Brs, Str, Bm04/Pf02	2
3	1030390	(30000000- 40000000)	Cover, Tool, Str Roll Vacuum, 380mm	2
4	1037380	(30000000- 40000000)	Nozzle, Flush, Readyspace	2
5	1034819	(30000000- 40000000)	Gasket, Tool ,Cover	2
6	9004284	(30000000- 40000000)	Cover, Tool W/ Hardware Kit	2
7	9006593	(30000000- 40000000)	R3 Foam Gasket Service Kit	1

ELECTRICAL DIAGRAM

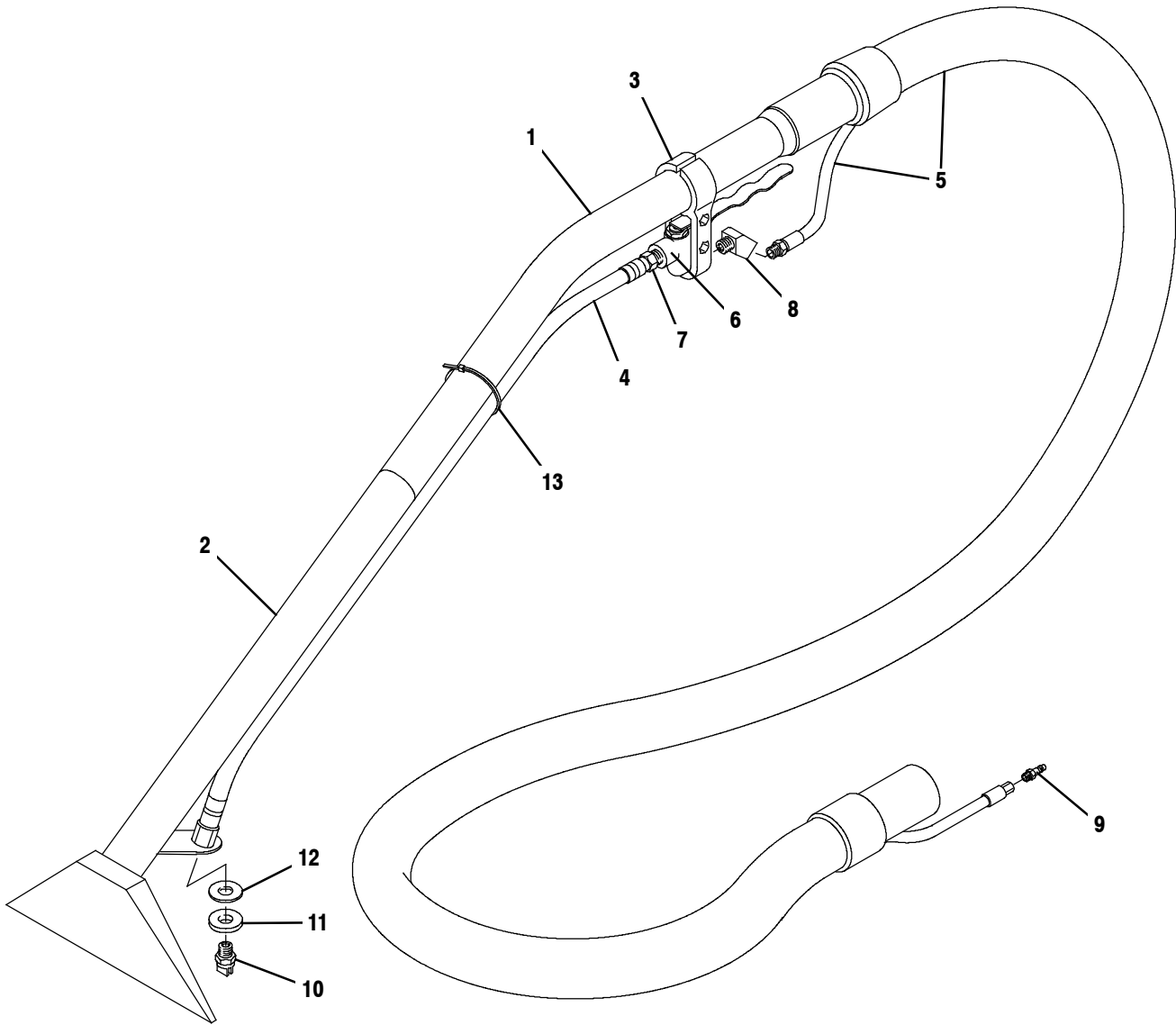
1046175



NOTES:
ALL SWITCHES SHOWN IN THE OFF POSITION

FLOOR TOOL GROUP, 8 in / 203 mm

355116



FLOOR TOOL GROUP, 8 in / 203 mm

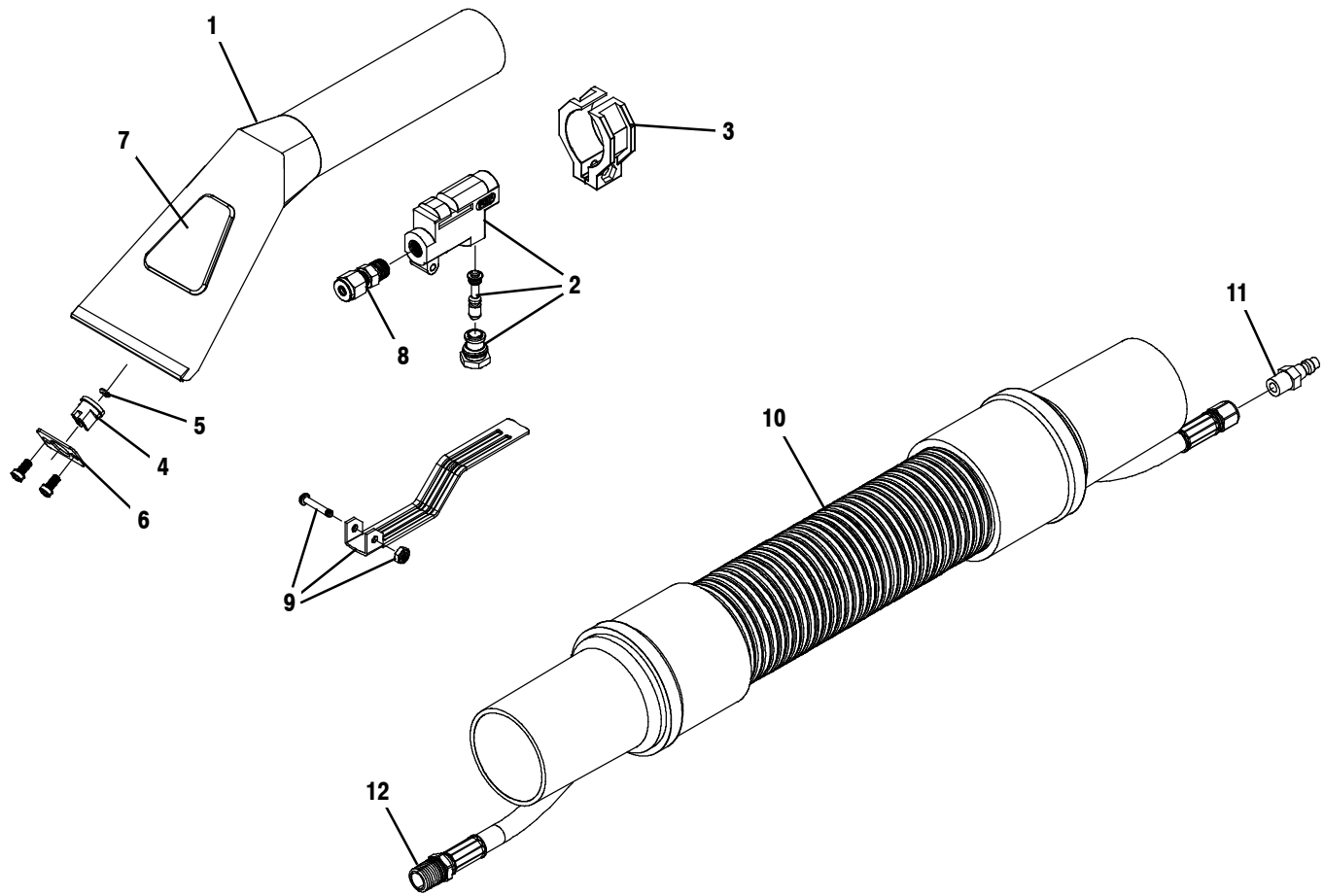
Ref.	Part No.	Serial Number	Description	Qty.
▽	1058735	(30000000- 40000000)	Tool Assy, Floor, W/ Ss Head	1
▲	1 1058997	(30000000- 40000000)	Wand, Tube, Upper, Fr/ 1058735, Replmt	1
▲	2 1058995	(30000000- 40000000)	Wand Assy, Lower, Fr/ 1058735, Replmt	1
▲	3 605988	(30000000- 40000000)	Vr, Bracket, Hanger, Valve	1
▲	4 1058998	(30000000- 40000000)	Hose, Brd, 39.0l, Fr/ 1058735, Replmt	1
▲	5 1059131	(30000000- 40000000)	Hose Assy, 10ft, F/1058735, Replmt	1
▲	6 578064000	(30000000- 40000000)	Valve, Water, Flow Cntrl, W/Lever [Wand]	1
▲	7 150516	(30000000- 40000000)	Fitting, Brs, Str, Bm06/Pm04	1
▲	8 150403	(30000000- 40000000)	Fitting, Brs, E45, Pf04/Pm04 [Taped]	1
▲	9 150921	(30000000- 40000000)	Fitting, Ss, Qdc, Pm02 [Ser 5]	1
▲	10 1059002	(30000000- 40000000)	Fitting, Jet, Vee, .25npt, Brs	1
▲	11 1058999	(30000000- 40000000)	Washer, Flat, Abs, F/ 1058735, Replmt	1
▲	12 140058	(30000000- 40000000)	Washer, Flat, 0.54b 0.88d .06, Ss [Wand]	1
▲	13 130041	(30000000- 40000000)	Tie, Cable, Nyl, 11.5l .19w	1
	N/S 220040	(30000000- 40000000)	Bag, Hose, Accssry, 24x36[W/Draw String] (Optional)	1

▽ ASSEMBLY

▲ INCLUDED IN ASSEMBLY

HAND TOOL GROUP, 4 in / 101 mm

355117

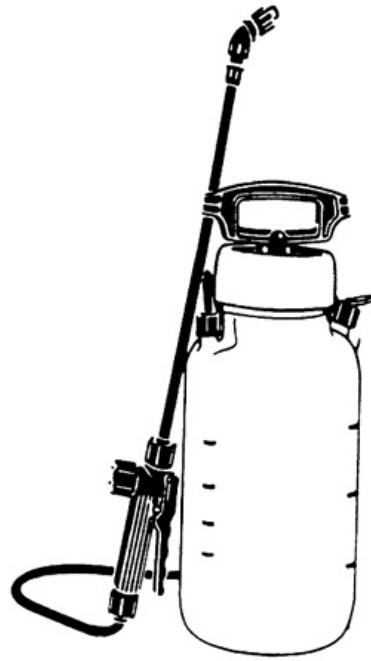


Ref.	Part No.	Serial Number	Description	Qty.
	1058747	(30000000- 40000000)	Tool Assy, Hand, W/ Ss Head & Plstc Wndw	1
▽	1	1059230	(30000000- 40000000) Tool Assy, W/Trigger F/1058747, Replmt	1
▲	1	1059003	(30000000- 40000000) Tool, W/ Wndw, Ss, F/1058747, Replmt	1
▲	2	611807	(30000000- 40000000) Valve, Tool, Hand [Pmf]	1
▲	3	611812	(30000000- 40000000) Valve, Hanger [Pmf]	1
▲	4	1059006	(30000000- 40000000) Fitting, Jet, Tee, Plstc, Fr/ 1058747	1
▲	5	1059005	(30000000- 40000000) Seal, Org, Fr/ 1058747, Replmt	1
▲	6	611815	(30000000- 40000000) Retainer, Plate [Pmf]	1
▲	7	1059004	(30000000- 40000000) Tool, Wndw, Plstc, Fr/ 1058747	1
▲	8	611817	(30000000- 40000000) Ferrule, Pm02/.18tube	1
▲	9	611818	(30000000- 40000000) Trigger, Handle Pmf	1
▽	10	1059130	(30000000- 40000000) Hose Assy, 10ft, F/1058747, Replmt	1
▲	11	150921	(30000000- 40000000) Fitting, Ss, Qdc, Pm02 [Ser 5]	1
▲	12	150521	(30000000- 40000000) Fitting, Brs, Str, Bm02/Pf02	1
	N/S 220040	(30000000- 40000000)	Bag, Hose, Accssry, 24x36[W/Draw String] (Optional)	1

▽ ASSEMBLY

▲ INCLUDED IN ASSEMBLY

PUMP-UP CARPET SPRAYER



Ref.	Part No.	Serial Number	Description	Qty.
	605848	(30000000- 40000000)	Sprayer 2gal Pumpup Hd	1